

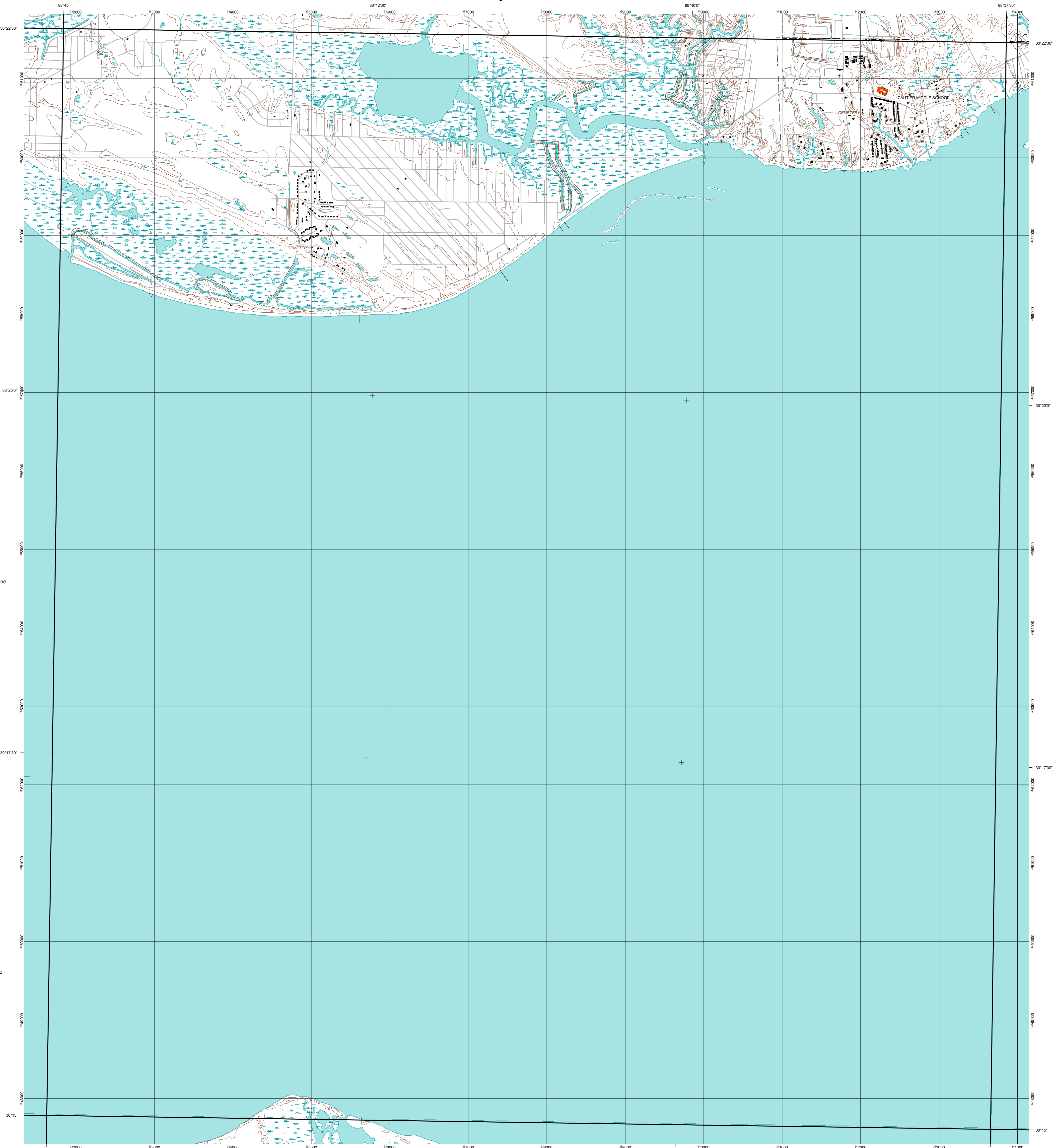
- HAZUS
- Hospitals
- Levees
- Airport
- Bus
- Ferry
- Port
- Rail
- Runway
- Railway
- Communication
- Electric Power
- Natural Gas
- Oil
- Potable Water
- Waste Water
- Dams
- Hazmat
- Care Facility
- Emergency Center
- Fire Station
- Police Station
- School
- USGS DLG24K MT Point
- Misc. Transportation
- End of Line
- Helipoint
- Airport
- Measuring Station
- Pump Station
- Steel Pole
- Substation
- USGS DLG24K MS Point
- Manmade Structures
- Boat Ramp
- Building
- Campground
- Drive-in
- House of Worship
- Lake/Pond
- Sunken Wreck
- Mine Shaft
- Picnic Area
- Post Office
- Public Event Site
- Quarry/Open Pit Mine
- Ruins/Cemetery
- School
- Tank
- Tower
- Well
- Pumps
- Hospitals
- USGS DLG24K MT Line
- Misc. Transportation
- Aerial Tramway
- Airport Facility
- Hydro Electric
- Measuring Station
- Pipeline
- Power Station
- Transmission Line
- Pump Station
- Seaplane Area
- Substation
- Telephone Line
- USGS DLG24K MS Line
- Manmade Structures
- Drag Strip
- Drive-in Theater
- Fence Line
- Levee
- Manmade Shoreline
- Breakwater
- Spoil Bank
- Levees
- USGS DLG24K MS
- Manmade Structures
- Boat Ramp
- Breakwater
- Urban Area
- Large Facility
- Cemetery
- Church
- Church Complex
- Public Facility
- Large Building
- Hazard Area
- Hospital
- Hospital Complex
- Intricate Surface
- Levee
- School
- School Campus
- Tank
- Town/Village
- Water Works



U.S. DEPARTMENT OF THE INTERIOR  
U.S. GEOLOGICAL SURVEY



**GAUTIER SOUTH, MS**  
Topographic Map Prototype

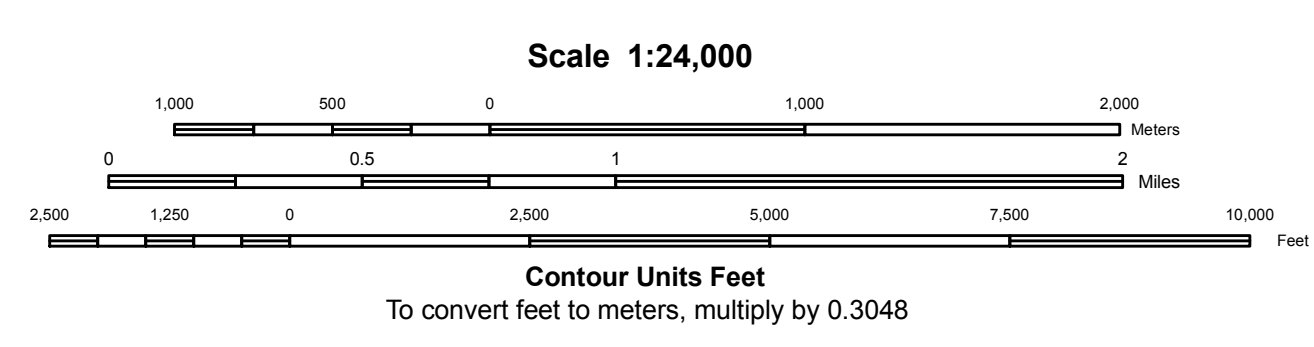


Produced by USGS Product Generation Application  
E-mail: usgsmap@usgs.gov

Display projection: Universal Transverse Mercator, Zone 16 North  
1000 Meter UTM Grid, Zone 16 North, NAD83

No cartographic or geographic edits were performed on this data

Data - Source  
HAZUS - FEMA  
Hydrography - USGS 1:24,000 Scale Digital Line Graph  
Hypsography - USGS 1:24,000 Scale Digital Line Graph  
Transportation - Department of Census  
Misc. Transportation - USGS 1:24,000 Scale Digital Line Graph  
Manmade Structures - USGS 1:24,000 Scale Digital Line Graph  
Labels - Geographic Names Information System



Map Location

Gautier North	Gautier South
Deer Island	Horn Island East
Dog Keys Pass	Horn Island West

USGS Quadrangle Index

**Road Legend**

	Primary Route		Local Street
	Primary Route Separated		Driveway or Service Road
	Secondary Route		Ferry Crossing
	Secondary Route Separated		

**Gautier South, MS**  
September 15, 2005  
5:30 PM CST

Public Data Version  
Prototype Product - Not For Sale